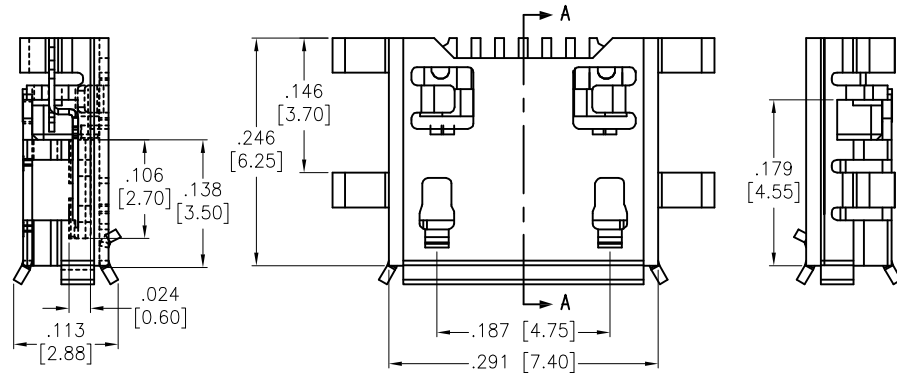
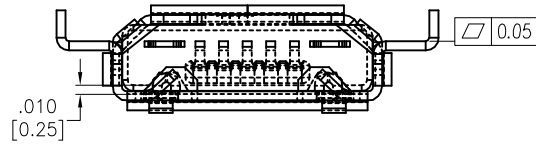
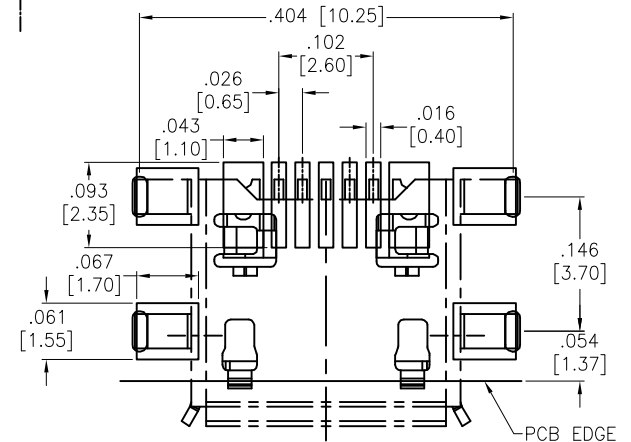
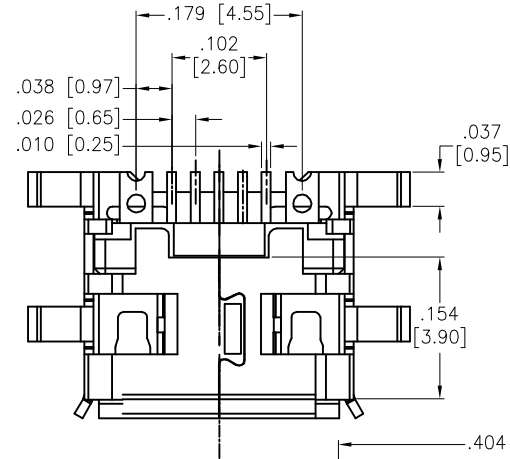
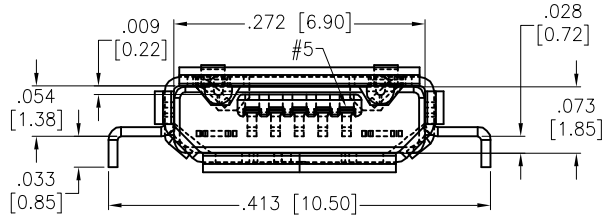


APPROVED: _____
 DATE: _____ TITLE: _____

Rev	AWO #	Description	Date	Appr
-		RELEASED	10/22/18	



SECTION A-A



RECOMMENDED PCB LAYOUT

SPECIFICATIONS:

- Material:
- Insulator: Hi-temp thermoplastic, rated UL 94V-0
- Insulator color: Black
- Contacts: Copper Alloy
- Shell: Copper Alloy
- Plating:
- Gold flash over Nickel underplate overall
- Electrical:
- Current rating: 1A Max.
- Contact resistance: 50 milliohms max.
- Insulation resistance: 100 Megohms min.
- Dielectric withstand voltage: 100 VAC for 1 minute
- Temperature Rating:
- 30°C to +80°C
- Environmental:
- Lead free, RoHS compliant.



PACKAGED ON TAPE & REEL

UNLESS OTHERWISE SPECIFIED ALL DIMENSIONS ARE INCHES [MM] TOLERANCES: EXCEPT AS NOTED INCHES HOLES .X ± .10 Ø.X ± .10 .XX ± .020 Ø.XX ± .015 .XXX ± .015 Ø.XXX ± .010		ADAM TECH INTERCONNECTS		909 Rahway Avenue, Union, NJ 07083 Phone: 908-687-5000 Fax: 908-687-5710	
APPROVALS		DATE		TITLE	
DRAWN	AY	10/22/18		MICRO USB, TYPE B, SINGLE PORT FEMALE, SMT TYPE	
CHECKED	RT	10/22/18		SIZE	PART NO.
APPROVED				X	MCR-B-S-RA-SMT-EH4B-T/R
		REF: S00097C	SCALE: NTS	SHEET 1 OF 1	

6

5

4

3

2

1

D

D

C

C

B

B

A

A

6

5

4

3

2

1